

PROJECT INFORMATION

APPLICANT:
RICHARD FALLQUIST

DRAWINGS BY:
ECCO DESIGN INC.
203 N 36TH ST SUITE 201
SEATTLE, WA 98103
206-706-3937

SITE ADDRESS:
5067 84TH AVE SE
MERCER ISLAND, WA 98040

PARCEL NUMBER:
4076000080

BODY OF WATER:
LAKE WASHINGTON

LEGAL DESCRIPTION:
LAKE SHORES
PLAT BLOCK:
PLAT LOT: 8

PROJECT DESCRIPTION:
RECONFIGURE THE EXISTING PIER BY
EXTENDING THE EXISTING PIER AND ADDING A
"T" TO THE END. WIDEN THE WALKWAY NEAR
SHORE TO GRANT ADA ACCESS. INSTALL A
NEW BOAT LIFT. PLANT NATIVE VEGETATION
PER THE PLANTING PLAN.

VICINITY MAP



REFERENCE:

DATUM: C.O.E. Locks Datum

ADJACENT PROPERTY OWNERS:

1. Gordon & Patricia Cohen
2. Donald Gorski

APPLICANT: Richard Fallquist

LOCATION: Mercer Island, WA 98040

LAT/LONG: 47.5570°/-122.2315°

PROPOSED PROJECT:

Pier Extension

IN: Lake Washington

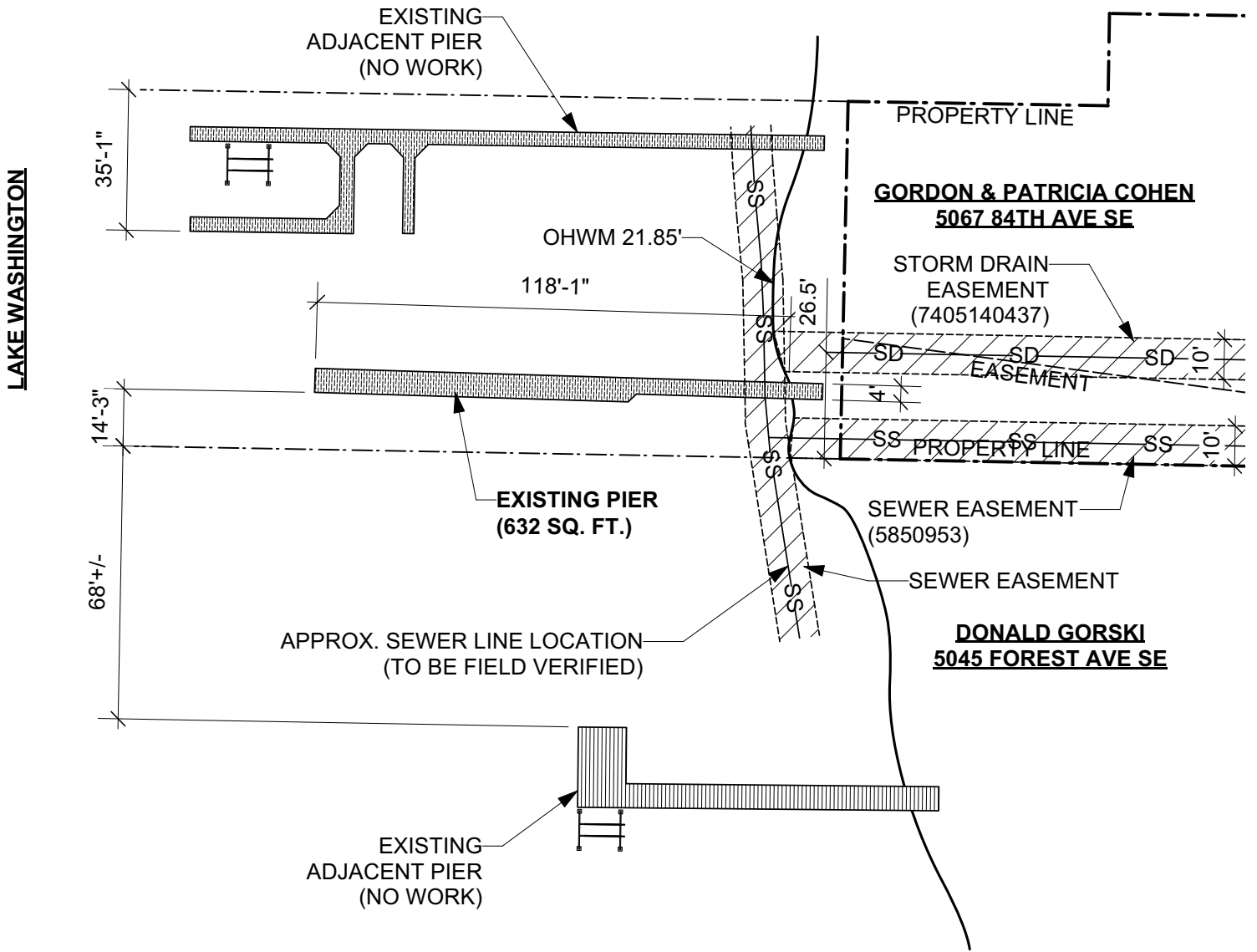
NEAR/AT: Mercer Island

COUNTY: King **STATE:** WA

SHEET 1 of 7

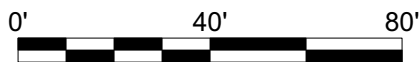
DATE: July 7, 2022

PLEASE NOTE THAT THE SHORELINE CONFIGURATION AND PROPERTY LINE LOCATIONS ARE APPROXIMATE ONLY. THE PROPERTY LINES ARE BASED ON SURVEY DATED 4/9/2020 BY TRUE NORTH LAND SURVEYING, INC.



SITE PLAN
(EXISTING)

SCALE 1" = 40'-0"

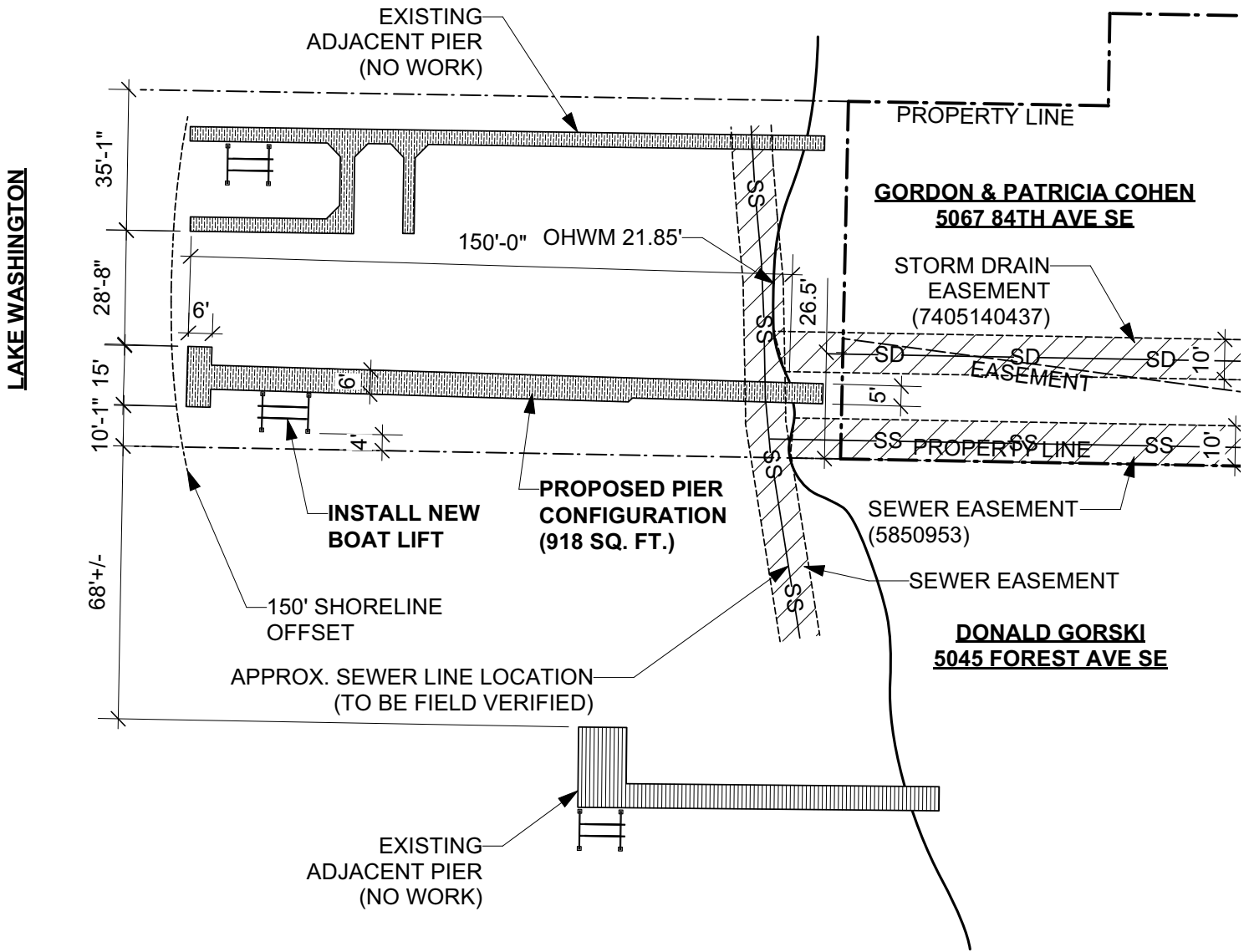


Reference:
Applicant: Richard Fallquist
Proposed: Pier Extension

Location: Mercer Island, WA

Sheet 2 of 7 **Date:** 7/7/2022

PLEASE NOTE THAT THE SHORELINE CONFIGURATION AND PROPERTY LINE LOCATIONS ARE APPROXIMATE ONLY. THE PROPERTY LINES ARE BASED ON SURVEY DATED 4/9/2020 BY TRUE NORTH LAND SURVEYING, INC.



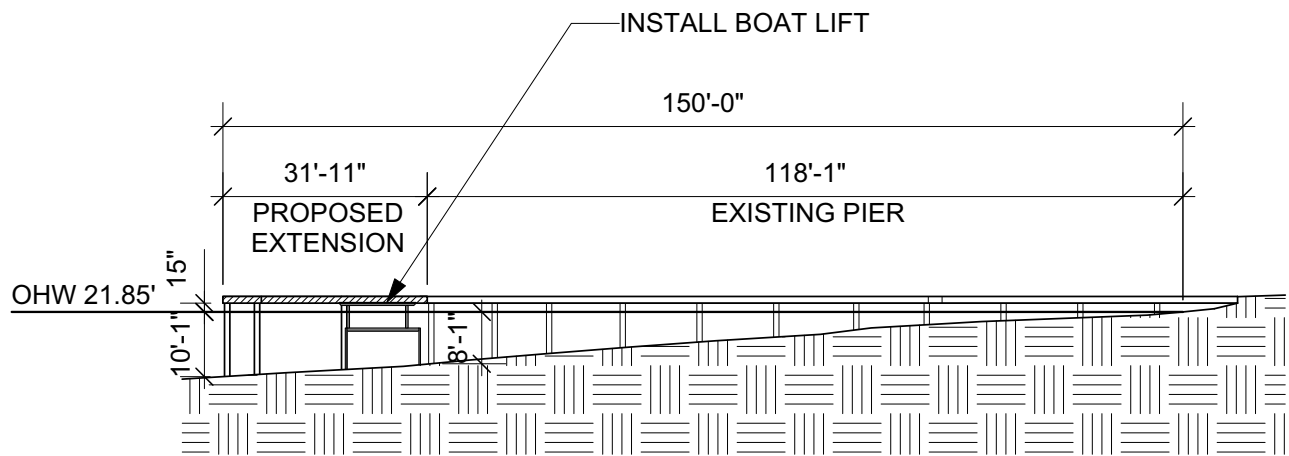
SITE PLAN
(PROPOSED)
 SCALE 1" = 40'-0"



Reference:
Applicant: Richard Fallquist
Proposed: Pier Extension

Location: Mercer Island, WA

Sheet 3 of 7 **Date:** 7/7/2022



PIER ELEVATION

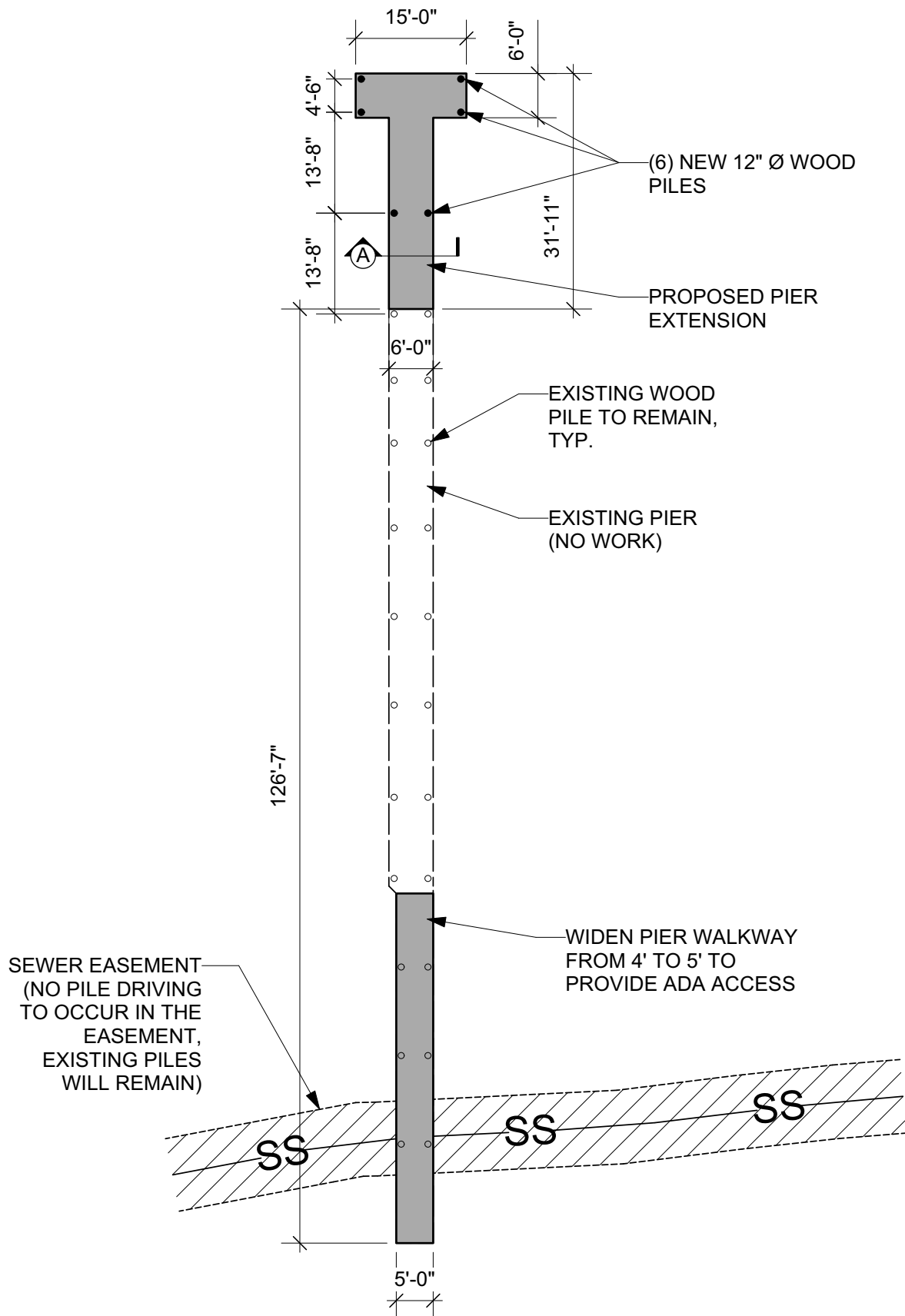
SCALE 1" = 30'-0"



Reference:
Applicant: Richard Fallquist
Proposed: Pier Extension

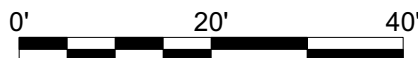
Location: Mercer Island, WA

Sheet 4 of 7 Date: 7/7/2022



PILE LAYOUT

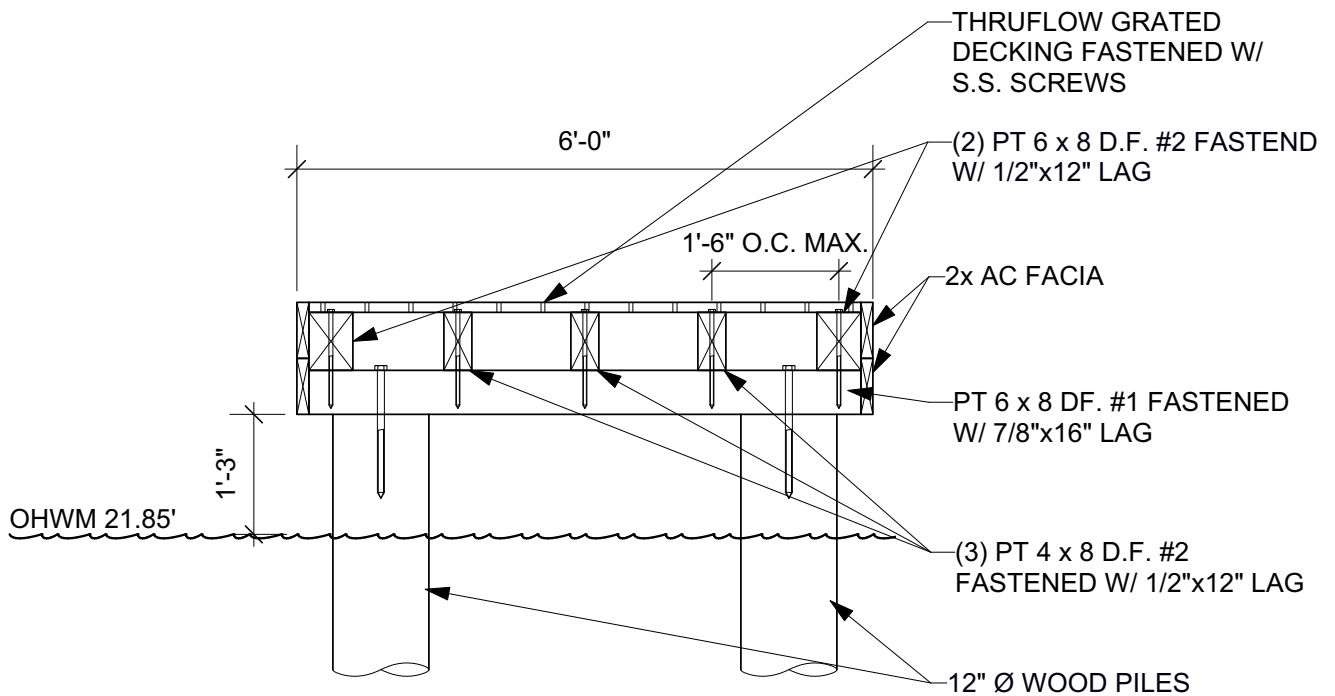
SCALE 1" = 20'-0"



Reference:
Applicant: Richard Fallquist
Proposed: Pier Extension

Location: Mercer Island, WA

Sheet 5 of 7 **Date:** 7/7/2022



SECTION DETAIL A

SCALE 1/2" = 1'-0"



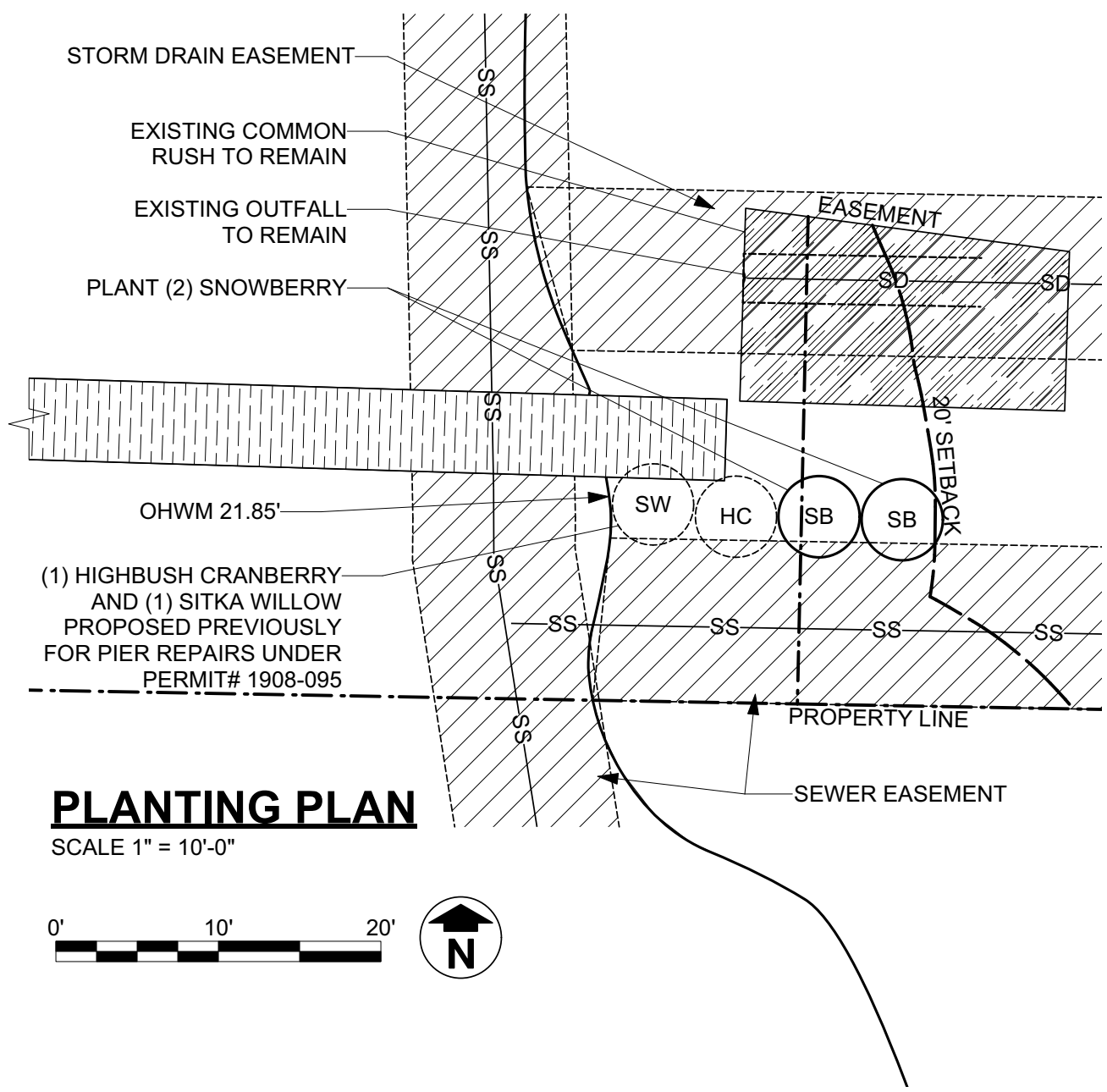
Reference:

Applicant: Richard Fallquist

Proposed: Pier Extension

Location: Mercer Island, WA

Sheet 6 of 7 Date: 7/7/2022



PLANTING PLAN

SCALE 1" = 10'-0"



Reference:
Applicant: Richard Fallquist
Proposed: Pier Extension

Location: Mercer Island, WA

Sheet 7 of 7 Date: 7/7/2022